

Accessories for calibration technology



WIKAL

Part of your business

Your reliable partner

As a family-run business acting globally, with 8,500 highly qualified employees, the WIKA group of companies is a worldwide leader in pressure and temperature measurement. The company also sets the standard in the measurement of level and flow, and in calibration technology. Founded in 1946, WIKA is today a strong and reliable partner for all the requirements of industrial measurement technology, thanks to a broad portfolio of high-precision instruments and comprehensive services.



Calibration & service centre

WIKA offers a broad product range of calibration instruments for the physical units of measurement for pressure and temperature, and for electrical measurands. A multitude of specific patents ensure unmatched performance characteristics with many of our calibration instruments. The range of services comprises the calibration of pressure, temperature and electrical measuring instruments in our accredited DKD/DAkkS calibration laboratories and a mobile service to calibrate your instruments on site.



Contents

Pressure supply		
10 bar pressure supply package (150 psi)	Model CPK-PS10	4
40 bar pressure supply package (580 psi)	Model CPK-PS40	6
300 bar pressure supply package (4,350 psi)	Model CPK-PS300	8
400 bar pressure supply package (6,000 psi)	Model CPK-PS400	10
Vacuum supply package	Model CPK-VP	12
Pressure supply case	Model CPK-PC	14
Instrument adaptation		
Test port package, connection column, dirt trap, separator	Model CPK-TP	16
Multiple distributor	Model CPK-MD	20
Adapter	Model CPK-AD	22
Connection components		
Connecting hoses	Model CPK-HO	24
Pressure control		
Pressure manifold	Model CPK-PM	26
Cylinder pressure reducer	Model CPK-PR	28
Volume displacer		30
Calibration and adjustment tools		
Rinsing glass		32
Filling glass		32
Pointer plier		33
Tool set for CTS movement		33
Table fixing device for fine metering valve		33
Everything at a glance		34
Calibration services		36
Calibration		38
Service products		39
WIKA worldwide		40

Pressure supply package, Model CPK-PS10, $P_{\max} = 10 \text{ bar (150 psi)}$

The pressure supply package CPK-PS10 is a total package ready-to-connect (plug & play) for providing pressure to WIKA calibration instruments, adjustment benches and components. The air compressor allows working and test pressures to be generated from atmospheric pressure to 10 bar max. (150 psi).

Applications

- Pressure generation from atmospheric pressure to 10 bar (150 psi)
- Pressure provision for pressure controllers and laboratory measuring instruments for testing, calibrating and adjusting
- Working pressure supply for pressure controllers (CPC3000, CPC6000, CPC8000) for measuring ranges $\leq 10 \text{ bar (150 psi)}$
- Test pressure supply for low-pressure manifold

Components

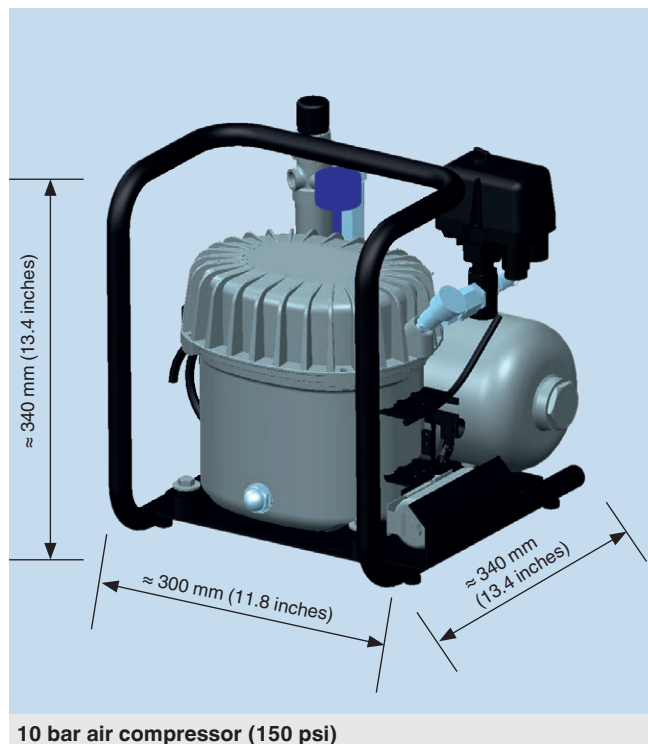
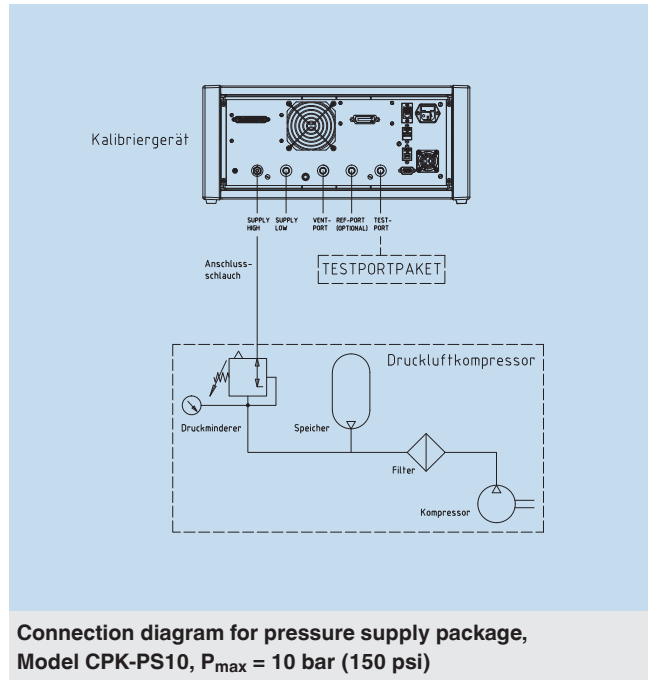
- 10 bar (150 psi) air compressor with storage tank, filter and pressure reducer
- Connecting hose with 6 mm Swagelok® union nut both sides

Supplementary individual components

- Connecting hoses
- Connection adapters
- Sealing set
- Replacement filters

Specifications

Air compressor	
Pressure range	0 ... 10 bar (150 psi)
Charging rate	32 l/min @ 8 bar (116 psi)
Sound emission	45 dB (A)
Storage volume	3.5 l
Connection air outlet	G ¼ female with adapter on 6 mm Swagelok® tube fitting
Power rating	0.34 kW
Voltage supply	AC 230 V / 50/60 Hz
Dimensions	L x W x H 340 x 300 x 340 mm (13.4 x 11.8 x 13.4 inches)
Weight	21 kg (46.3 lbs.)
Features	oil-lubricated, silent, equipped with a pressure reducer and a 0.01 µm ultra-fine filter with manual condensate drain



10 bar (150 psi) pressure supply package, model CPK-PS10

Quick order code

Field no.	Code	Version
Connecting hose (PS10-TU)		
①	1	Length 1 m (3 ft), 6 mm Swagelok® union nut both sides, P _{max} = 27 bar (390 psi)
	2	Length 2 m (6 ft), 6 mm Swagelok® union nut both sides, P _{max} = 27 bar (390 psi)
	3	Length 3 m (9 ft), 6 mm Swagelok® union nut both sides, P _{max} = 27 bar (390 psi)

Order code: CPK-PS10-P - Z - Z*

*The order code includes a 10 bar (150 psi) air compressor and the selected connecting hose

Individual components for 10 bar (150 psi) pressure supply package, model CPK-PS10

Quick order code

Field no.	Code	Version
Accessories/individual components (PS10-A)		
①	1	Connecting hose, length 1 m (3 ft), 6 mm Swagelok® union nut both sides, P _{max} = 27 bar (390 psi)
	2	Connecting hose, length 2 m (6 ft), 6 mm Swagelok® union nut both sides, P _{max} = 27 bar (390 psi)
	3	Connecting hose, length 3 m (9 ft), 6 mm Swagelok® union nut both sides, P _{max} = 27 bar (390 psi)
	4	Connection adapter G ¼ male on 6 mm Swagelok® tube fitting
	5	Sealing set: 5 PTFE sealing rings G ¼
	6	Replacement ultra-fine filter 0.01µm

Order code: CPK-PS10-AZ - Z

Pressure supply package, model CPK-PS40, $P_{\max} = 40$ bar (580 psi)

The pressure supply package CPK-PS40 is a total package ready-to-connect (plug & play) for providing pressure to WIKA calibration instruments, adjustment benches and components. The air amplifier allows working and test pressures to be generated from an air drive pressure of 2 ... 10 bar (30 ... 150 psi) at a ratio of 1 : 4 to 40 bar (580 psi) max.

Applications

- Compressed-air increase from domestic mains pressure (≤ 10 bar (150 psi) to 40 bar (580 psi) max.)
- Pressure provision for pressure controllers and laboratory measuring instruments for testing, calibrating and adjusting
- Working pressure supply for pressure controllers (CPC3000, CPC6000, CPC8000, CPC8000-H)
- Test pressure supply for low-pressure manifolds or adjustment benches

Components

- 40 bar (580 psi) air amplifier with storage tank, filter and output pressure reducer mounted on a base plate
- Connecting hose with 6 mm Swagelok® union nut
- Pressure reducer

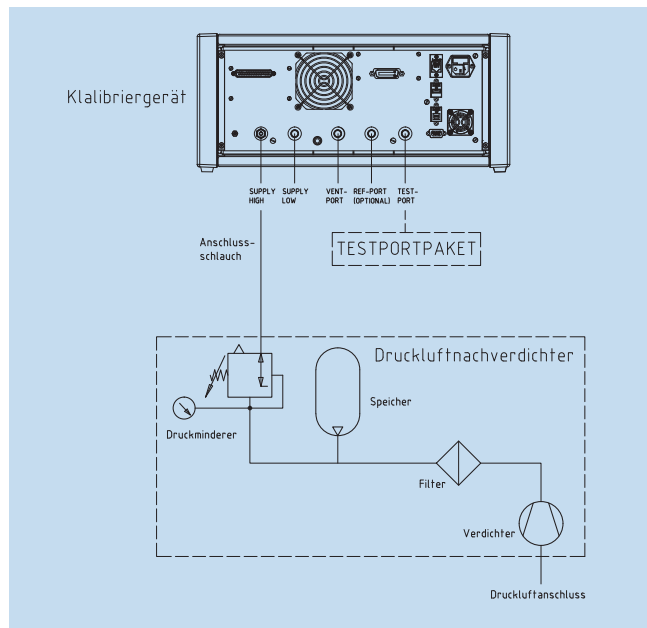
Supplementary individual components

- Connecting hoses
- Sealing set
- Noise suppression case
- Filter inserts

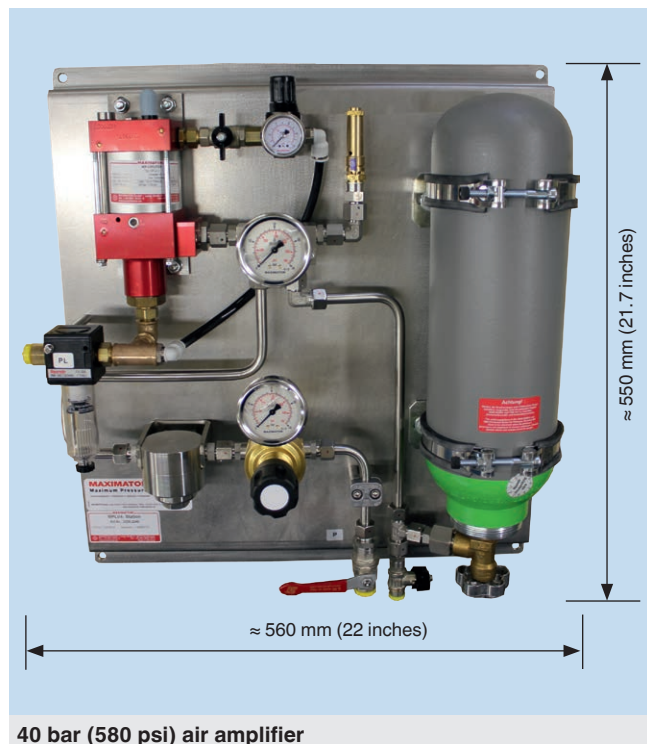
Specifications

Air amplifiers

Pressure range	0 ... 40 bar (580 psi)
Compressed-air drive	min. 2 bar (30 psi) / max. 10 bar (150 psi)
Transmission ratio	1 : 4
Sound emission	79 dB (A)
Storage volume	5 l
Connection (air drive pressure)	G 3/8 female with adapter on 6 mm Swagelok® tube fitting
Connection (pressure outlet)	G 1/4 female with adapter on 6 mm Swagelok® tube fitting
Dimensions	(L x W x H) 560 x 210 x 550 mm (22 x 8.3 x 21.7 inches)
Weight	21.9 kg (48.3 lbs.)
Features	No electrical energy required equipped with a pressure reducer and a 5 µm filter with manual condensate drain



Connection diagram for pressure supply package, Model CPK-PS40, $P_{\max} = 40$ bar (580 psi)



40 bar (580 psi) air amplifier

40 bar (580 psi) pressure supply package, model CPK-PS40

Quick order code

Field no.	Code	Version
Noise suppression case (PS40-NP)		
①	1	With
	Z	Without
Connecting hose (PS40-TU)		
②	1	Length 1 m (3 ft), 6 mm Swagelok® union nut both sides, P _{max} = 630 bar (9,135 psi)
	2	Length 2 m (6 ft), 6 mm Swagelok® union nut both sides, P _{max} = 630 bar (9,135 psi)
	3	Length 3 m (9 ft), 6 mm Swagelok® union nut both sides, P _{max} = 630 bar (9,135 psi)

Order code: CPK-PS40-P1 ① ② - Z - Z*

*The order code includes a 40 bar (580 psi) air amplifier, a pressure reducer and the selected connecting hose. Optionally a noise suppression case can be selected.

Individual components for 40 bar (580 psi) pressure supply package, model CPK-PS40

Quick order code

Field no.	Code	Version
Accessories/individual components (PS40-A)		
①	1	Connecting hose, length 1 m (3 ft), 6 mm Swagelok® union nut both sides, P _{max} = 630 bar (9,135 psi)
	2	Connecting hose, length 2 m (6 ft), 6 mm Swagelok® union nut both sides, P _{max} = 630 bar (9,135 psi)
	3	Connecting hose, length 3 m (9 ft), 6 mm Swagelok® union nut both sides, P _{max} = 630 bar (9,135 psi)
	4	Connecting hose for pressure reducer, length 2 m (6 ft), P _{max} = 630 bar (9,135 psi)
	5	Connection adapter G ¼ male on 6 mm Swagelok® tube fitting
	6	Connection adapter G ½ male on 6 mm Swagelok® tube fitting
	7	Sealing set: 5 Cu sealing rings each G ¾ and G ½
	8	Noise suppression case for installing the compressor station
	9	Filter insert for filter at the air inlet
	A	Filter insert for HD filter at the air outlet

Order code: CPK-PS40-AZZZ- ① - Z

Pressure supply package, model CPK-PS300, $P_{\max} = 300$ bar (4,350 psi)

The pressure supply package CPK-PS300 is a total package ready-to-connect (plug & play) for providing pressure to WIKA calibration instruments, adjustment benches and components. The high-pressure compressor allows you to fill a compressed-air storage cylinder from atmospheric pressure to 300 bar (4,350 psi) max. The pressure reducer assembly is used to set the working and test pressures between 5 ... 250 bar (72.5 ... 3,625 psi) from the storage cylinder.

Applications

- Pressure generation from atmospheric pressure to 300 bar (4,350 psi)
- Pressure provision for pressure controllers and laboratory measuring instruments for testing, calibrating and adjusting
- Working pressure supply for pressure controllers (CPC4000, CPC6050, CPC8000) for measuring ranges ≤ 300 bar (4,350 psi)
- Test pressure supply for high-pressure manifolds or adjustment benches

Components

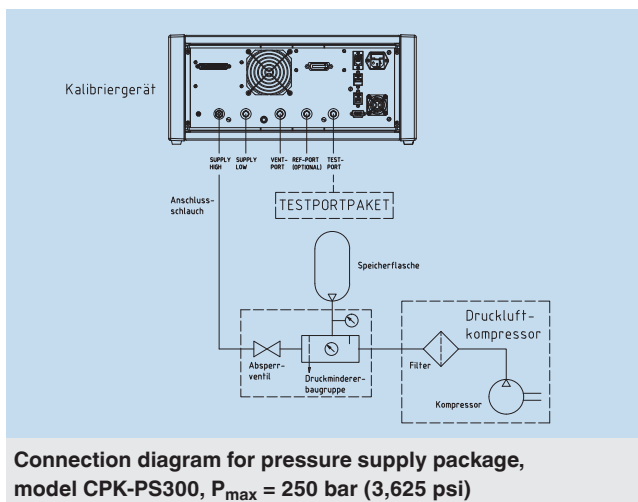
- 300 bar (4,350 psi) high-pressure compressor with filter system
- Connecting hose with 6 mm Swagelok® union nut
- Compressed-air storage cylinder 6 litres / 300 bar (4,350 psi)
- Pressure reducer assembly (adjustable working pressures between 5 ... 250 bar (72.5 ... 3,625 psi)) with cylinder pressure gauge, pressure controller, output pressure gauge and shut-off valve, optionally mounted together with the storage cylinder on a stainless steel wall bracket

Supplementary individual components

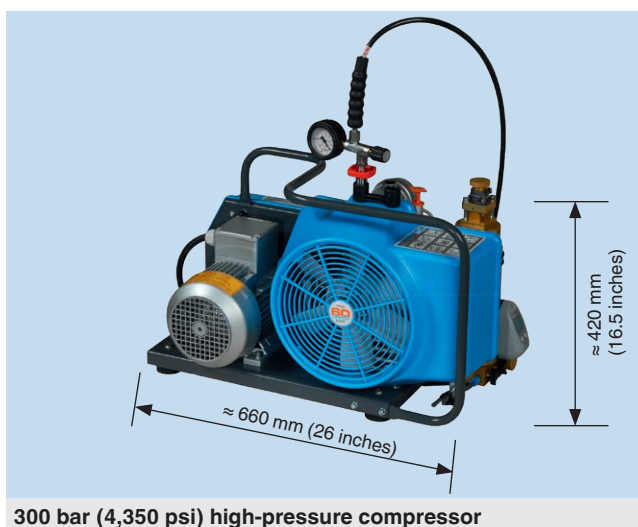
- Connecting hoses
- Compressed-air storage cylinder
- Connection assembly
- Sealing

Specifications

High-pressure compressor	
Pressure range	0 ... 300 bar (4,350 psi)
Charging rate	approx. 100 l/min
Sound emission	83 dB (A)
Connection air outlet	M16 x 1.5 male
Voltage supply	AV 230 Volt / 50 Hz
Power rating	2.2 kW
Dimensions	L x W x H 660 x 390 x 420 mm (26 x 15.4 x 16.5 inches)
Weight	46 kg (102 lbs)
Features	oil-lubricated, air-cooled, including filter system for separating oil/water condensate



Connection diagram for pressure supply package,
model CPK-PS300, $P_{\max} = 250$ bar (3,625 psi)



300 bar (4,350 psi) high-pressure compressor

Pressure accumulator assembly (optional)	
Supply pressure	P_{\max} 300 bar (4,350 psi)
Output pressure (adjustable)	5 ... 250 bar (72 ... 3,625 psi)
permissible pressure medium	dry, clean air or nitrogen
Storage volume	6 l (1.32 gal)
Weight	14.8 kg (32.63 lbs)
Dimensions	L x W x H 845 x 350 x 237 mm (33.27 x 13.78 x 9.33 inches)
Pressure connections	Inlet: 6 mm tube fitting Outlet: 6 mm tube fitting

300 bar (4,350 psi) pressure supply package, model CPK-PS300

Quick order code

Field no.	Code	Version
Pressure accumulator assembly (PS300-AB)		
①	1	Compressed-air storage 300 bar (4,350 psi), 6 litres incl. wall bracket with pressure reducer assembly
	Z	Without
Connecting hose supply side (PS300-CA)		
②	1	Length 1 m (3 ft), M16 x 1.5 female, 6 mm Swagelok® union nut, P _{max} = 300 bar (4,350 psi)
	2	Length 2 m (6 ft), M16 x 1.5 female, 6 mm Swagelok® union nut, P _{max} = 300 bar (4,350 psi)
	3	Length 3 m (9 ft), M16 x 1.5 female, 6 mm Swagelok® union nut, P _{max} = 300 bar (4,350 psi)
Connecting hose outlet side (PS300-CR)		
③	1	Length 1 m (3 ft), M16 x 1.5 female, 6 mm Swagelok® union nut, P _{max} = 630 bar (9,135 psi)
	2	Length 2 m (6 ft), M16 x 1.5 female, 6 mm Swagelok® union nut, P _{max} = 630 bar (9,135 psi)
	3	Length 3 m (9 ft), M16 x 1.5 female, 6 mm Swagelok® union nut, P _{max} = 630 bar (9,135 psi)

Order code: CPK-PS300-P ① ② ③ - Z - Z*

*The order code includes a 300 bar (4,350 psi) high-pressure compressor and the selected connecting hoses. Optionally a pressure accumulator assembly can be selected.

Individual components for 250 bar (3,625 psi) pressure supply package, model CPK-PS300

Quick order code

Field no.	Code	Version
Accessories/individual components (PS300-A)		
①	1	Connecting hose supply side, length 1 m (3 ft), M16 x 1.5 female, 6 mm Swagelok® union nut, P _{max} = 300 bar (4,350 psi)
	2	Connecting hose supply side, length 2 m (6 ft), M16 x 1.5 female, 6 mm Swagelok® union nut, P _{max} = 300 bar
	3	Connecting hose supply side, length 3 m (9 ft), M16 x 1.5 female, 6 mm Swagelok® union nut, P _{max} = 300 bar (4,350 psi)
	4	Connecting hose outlet side, length 1 m (3 ft), M16 x 1.5 female, 6 mm Swagelok® union nut, P _{max} = 630 bar (9,135 psi)
	5	Connecting hose outlet side, length 2 m (6 ft), M16 x 1.5 female, 6 mm Swagelok® union nut, P _{max} = 630 bar (9,135 psi)
	6	Connecting hose outlet side, length 3 m (9 ft), M16 x 1.5 female, 6 mm Swagelok® union nut, P _{max} = 630 bar (9,135 psi)
	7	Compressed-air storage 300 bar (4,350 psi), 6 litres (1.32 gal)
	8	Connection assembly including pressure reducer, pressure gauge, shut-off valve and connecting hose to the pressure accumulator
	9	Seal for M16 x 1.5

Order code: CPK-PS300-AZZZ- ① - Z

Pressure supply package, model CPK-PS400, $P_{\max} = 400 \text{ bar}$ (6,000 psi)

The pressure supply package CPK-PS400 is a total package ready-to-connect (plug & play) for providing pressure to WIKA calibration instruments, adjustment benches and components. The compressor station allows you to generate working and test pressures of up to 400 bar (6,000 psi) from an initial pressure of 7 ... 15 bar (102 ... 218 psi) (e.g. from a nitrogen cylinder) by means of an air drive pressure of 1 ... 6.5 bar (14.5 ... 95 psi).

Applications

- Compressed-air increase from test air (7 ... 15 bar) (102 ... 218 psi) to 400 bar (6,000 psi)
- Pressure provision for pressure controllers and laboratory measuring instruments for testing, calibrating and adjusting
- Working pressure supply for pressure controllers (CPC8000) for measuring ranges $\leq 400 \text{ bar}$ (6,000 psi)
- Test pressure supply for high-pressure manifolds or adjustment benches

Components

- 400 bar (6,000 psi) high-pressure compressor station with tubular accumulator, filter and output pressure reducer, mounted on a stainless steel rack
- Connecting hose with 6 mm Swagelok® union nut
- Optional pressure reducer for test air (nitrogen)
- Optional screw compressor for drive air

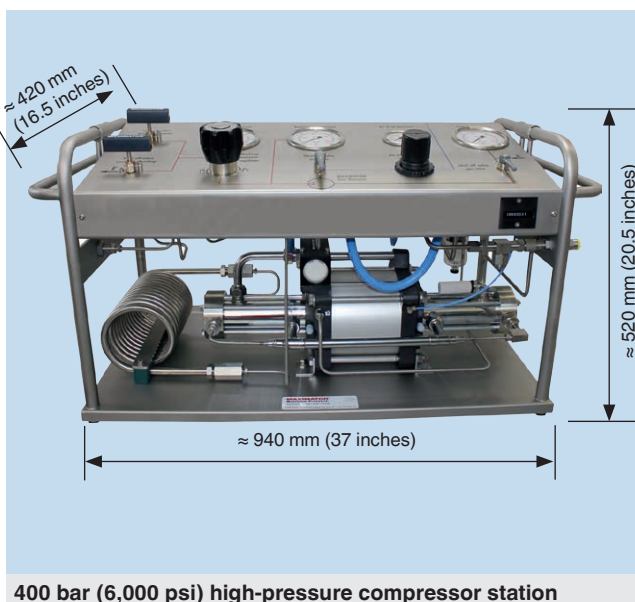
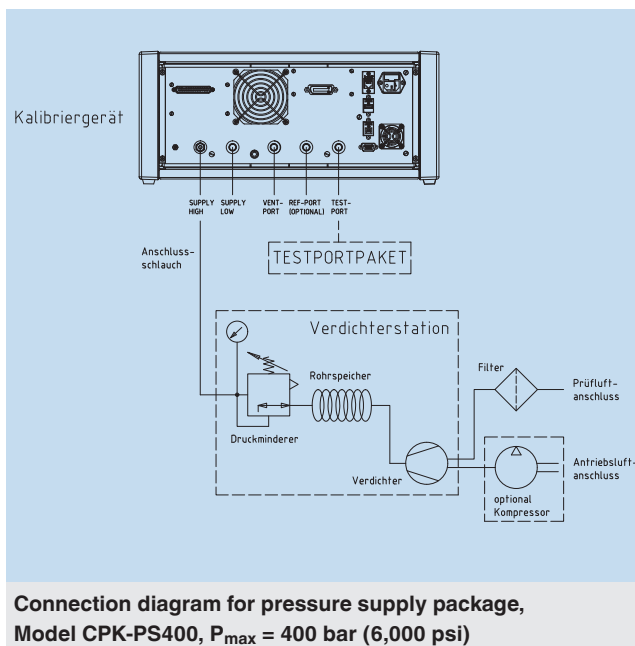
Supplementary individual components

- Connecting hoses
- Silencer box
- Filter insert set
- Sealing set
- Connection adapters

Specifications

High-pressure compressor station

Pressure range	0 ... 400 bar (6,000 psi)
Compressed-air drive	min. 1 bar (14.5 psi)/ max. 6.5 bar (95 psi)
Initial pressure (test air)	7 ... 15 bar (100 ... 215 psi)
Operating medium	Nitrogen
Transmission ratio	1 : 15 / 1 : 75
Sound emission	79 dB (A)
Storage volume	approx. 0.2 l (tubular accumulator)
Connection (air drive pressure)	G ½ female with adapter on 6 mm Swagelok® tube fitting
Connection (test air)	G ¼ female with adapter on 6 mm Swagelok® tube fitting
Connection (pressure outlet)	9/16-18 UNF with adapter on 6 mm Swagelok® tube fitting
Dimensions	L x W x H 940 x 420 x 520 mm (37 x 16.5 x 20.5 inches)
Weight	51 kg (136.6 lbs.)
Features	No electrical energy required, equipped with a pressure reducer and a 10 µm filter



400 bar (6,000 psi) pressure supply package, model CPK-PS400

Quick order code

Field no.	Code	Version
Pressure supply for drive air (PS400-SU)		
①	1	Screw compressor
	Z	Without
Connecting hose outlet side (PS400-TU)		
②	1	Length 1 m (3 ft), 6 mm Swagelok® union nut both sides, P _{max} = 630 bar (9,135 psi)
	2	Length 2 m (6 ft), 6 mm Swagelok® union nut both sides, P _{max} = 630 bar (9,135 psi)
	3	Length 3 m (9 ft), 6 mm Swagelok® union nut both sides, P _{max} = 630 bar (9,135 psi)
Silencer box (PS400-NP)		
③	1	With
	Z	Without

Order code: CPK-PS400-PZ ① ② ③ - Z -Z*

*The order code includes the high-pressure compressor station and the selected connecting hose. Optionally a screw compressor for the pressure supply of the drive air and a silencer box can be selected. A pressure reducer for the test air is available via the model CPK-PR.

Individual components for 400 bar (6,000 psi) pressure supply package, model CPK-PS400

Quick order code

Field no.	Code	Version
Accessories/individual components (PS400-A)		
①	1	Connecting hose outlet side, length 1 m (3 ft), 6 mm Swagelok® union nut both sides, P _{max} = 630 bar (9,135 psi)
	2	Connecting hose outlet side, length 2 m (6 ft), 6 mm Swagelok® union nut both sides, P _{max} = 630 bar (9,135 psi)
	3	Connecting hose outlet side, length 3 m (9 ft), 6 mm Swagelok® union nut both sides, P _{max} = 630 bar (9,135 psi)
	4	Connection adapter G ½ B male on 6 mm Swagelok® union nut
	5	Connection adapter G ¼ male on 6 mm Swagelok® tube fitting
	6	Silencer box
	7	Filter insert set for initial pressure and high pressure and filter for drive air
	8	Sealing set: 5 Cu sealing rings each G ¼ and G ½ and 5 sealing rings each G ¼ for pressure outlet
	9	Connection adapter for pressure outlet 9/16-18UNF on 6 mm Swagelok® tube fitting

Order code: CPK-PS400-AZZZZ- ① - Z

Vacuum pressure supply package, model CPK-VP

The vacuum pressure supply package CPK-VP is a total package ready-to-connect (plug & play) for providing vacuum to WIKA calibration instruments, adjustment benches and components, consisting of an electric vacuum pump and matching connecting hoses. Depending on the application, you can choose between two vacuum pumps that differ with respect to their nominal pumping speed.

Applications

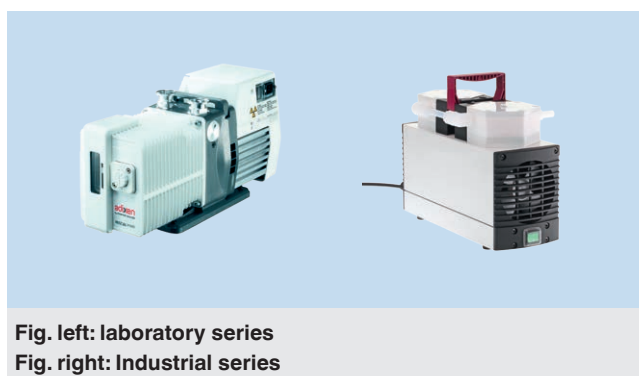
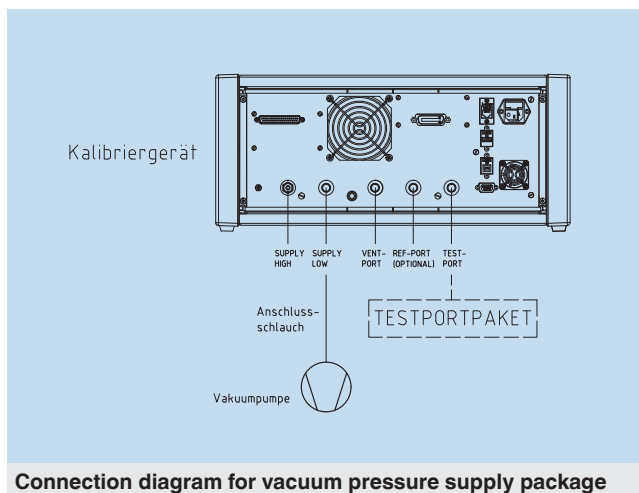
- Vacuum generation
- Vacuum provision for laboratory measuring instruments, pressure manifolds and test benches for testing, calibrating and adjusting
- Vacuum provision for pressure controllers (CPC3000, CPC6000, CPC8000) with absolute-pressure measuring ranges or bidirectional measuring ranges

Components

- "Laboratory series" or "industrial series" vacuum pump
- Corrugated vacuum hose or pneumatic hose incl. adapter

Supplementary individual components

- Corrugated vacuum hoses
- Pneumatic hoses
- Adapters
- Clamping and centring rings
- Vacuum oil
- Oil mist filter insert incl. seals



Specifications

	"Laboratory series" vacuum pump	"Industrial series" vacuum pump
Construction	Two-stage rotary vane pump, oil-lubricated	Two-stage diaphragm pump, dry-compressing
Nominal pumping speed	14 m ³ x h-1	1.2 m ³ x h-1
Final total pressure	5 x 10 ⁻⁴ mbar (7 x 10 ⁻⁴ psi)	8 mbar (0.116 psi)
AC motor	AC 230 V, 50 Hz	
Motor power	0.45 kW	0.12 kW
Connection	DN25 ISO-KF with adapter on 6 mm Swagelok® tube fitting	G ¼ female with adapter on 6 mm Swagelok® tube fitting
Dimensions in mm	L x W x H 462 x 164 x 240 mm (18.2 x 6.5 x 9.4 inches)	L x W x H 312 x 154 x 207 mm (12.2 x 6.1 x 8.1 inches)
Weight	27 kg (59.5 lbs)	9.3 kg (20.5 lbs)

Vacuum pressure supply package, model CPK-VP

Quick order code for complete vacuum pressure supply package

Field no.	Code	Version
Package (VP-PKG)		
①	I	"Industrial series" vacuum pump, intake volume: 1.2 m ³ /h, adapter G ¼ male on 6 mm Swagelok® tube fitting
	L	"Laboratory series" vacuum pump, intake volume: 15 m ³ /h, adapter DN25 on 6 mm Swagelok® tube fitting
Connecting hose (VP-CH)		
②	1	Corrugated vacuum hose, length 1 m (3 ft), DN25, incl. adapter on 6 mm Swagelok®
	2	Corrugated vacuum hose, length 1 m (3 ft), DN16, incl. adapter on 6 mm Swagelok®
	3	Pneumatic hose, length 1 m (3 ft), 6 mm Swagelok® union nut both sides, P _{max} = 27 bar (390 psi)
	4	Pneumatic hose, length 2 m (6 ft), 6 mm Swagelok® union nut both sides, P _{max} = 27 bar (390 psi)
	5	Pneumatic hose, length 3 m (9 ft), 6 mm Swagelok® union nut both sides, P _{max} = 27 bar (390 psi)

Order code: CPK-VP- - Z - Z*

*The order code includes the selected vacuum pump and optionally a corrugated vacuum hose or pneumatic hose.

Individual components for vacuum pressure supply package, model CPK-VP

Quick order code for supplementary individual components for the vacuum pressure supply package

Field no.	Code	Version
Accessories/individual components (VP-A)		
①	1	Adapter G ¼ male on 6 mm Swagelok®
	2	Adapter KF25 on 6 mm Swagelok®
	3	KF25C clamping ring
	4	KF25 centring ring
	5	Adapter KF16 on 6 mm Swagelok®
	6	KF16C clamping ring
	7	KF16 centring ring
	8	Clamping ring for union nut
	9	Vacuum oil 2 l for "laboratory series" vacuum pump
	A	Oil mist filter insert incl. replacement seals for "laboratory series" vacuum pump
	B	Corrugated vacuum hose, length 1 m (3 ft), DN25
	C	Corrugated vacuum hose, length 1 m (3 ft), DN16
	D	Corrugated vacuum hose for extension, length 1 m (3 ft), DN25 incl. adapter
	E	Corrugated vacuum hose for extension, length 1 m (3 ft), DN16 incl. adapter
F	Pneumatic hose, length 1 m (3 ft), 6 mm Swagelok® union nut both sides, P _{max} = 27 bar (390 psi)	
G	Pneumatic hose, length 2 m (6 ft), 6 mm Swagelok® union nut both sides, P _{max} = 27 bar (390 psi)	
H	Pneumatic hose, length 3 m (9 ft), 6 mm Swagelok® union nut both sides, P _{max} = 27 bar (390 psi)	

Order code: CPK-VP-AZ- - Z

Pressure supply case, model CPK-PC

The transportable pressure supply case CPK-PC is used for on-site pressure provision. The pressure supply case is available in a low-pressure and high-pressure version and is equipped with a 2-litre nitrogen cylinder, a precision pressure reducer with self-venting, an inlet and output pressure gauge, overpressure protection, two test connections, fine metering valves as well as a filling hose.

Applications

- Adjustment and calibration of pressure measuring instruments on site
- Pressure provision for pressure controllers (CPC3000, CPC6000 and CPC8000)

Components

- Pressure supply case
- Filling hose

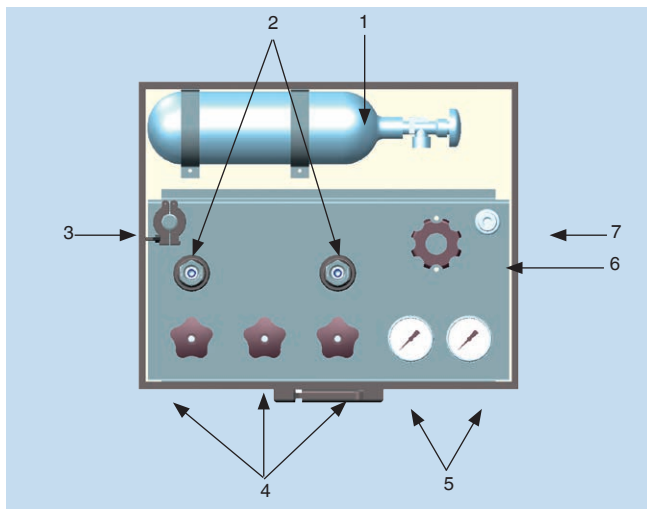
Supplementary individual components

- Clamping and centring rings
- Threaded inserts (see model CPK-TP)
- Replacement sealing inserts
- Removable trolley attachment



Pressure supply case with optional trolley

Controls



- 1) Storage cylinder
- 2) Test connections
- 3) Vacuum connection (DN16)
- 4) Fine metering valves

- 5) Input / output pressure gauge
- 6) Pressure reducer for working pressure
- 7) Filling connection, for filling the storage cylinder by means of the filling hose

Specifications

Pressure supply case			
Pressure range	-1 ... 35 bar (-15 ... 500 psi)	0 ... 200 bar (0 ... 3,000 psi)	-1 ... 200 bar (-15 ... 3,000 psi)
Working pressure control range	0 ... 35 bar (0 ... 500 psi)	1.7 ... 200 bar (25 ... 3,000 psi)	1.7 ... 200 bar (25 ... 3,000 psi)
Pressure accumulator	2 litres, max. 200 bar (3,000 psi)		
Connection for vacuum pump	DN16	-	DN16
Test connections	Quick-release connector M28 x 1.5 female thread, incl. changeable threaded inserts (as standard G ½ female thread)		
Dimensions	W x L x H : 520 x 420 x 220 mm (20.5 x 16.5 x 8.7 inches)		

Pressure supply case, model CPK-PC

Quick order code

Field no.	Code	Version
Measuring range (PC-MR)		
①	1	-1 ... 35 bar (-15 ... 500 psi)
	2	-1 ... 200 bar (-15 ... 3,000 psi)
	3	0 ... 200 bar (0 ... 3,000 psi)

Order code: CPK-PC-P ^① - Z - Z

Individual components for pressure supply case, model CPK-PC

Quick order code

Field no.	Code	Version
Accessories/individual components (PC-A)		
①	1	Filling hose for pressure supply case, length = 2 m (6 ft)
	2	Adapter for pressure supply case DN25 to DN16
	3	Adapter for pressure supply case 6 mm Swagelok® tube fitting to DN16
	4	KF16C clamping ring
	5	KF16 centring ring
	6	KF25C clamping ring
	7	KF25 centring ring
	8	Replacement sealing sets for low-pressure metering valve
	9	Removable trolley attachment

Order code: CPK-PC-AZ- ^① - Z

Test port package, model CPK-TP

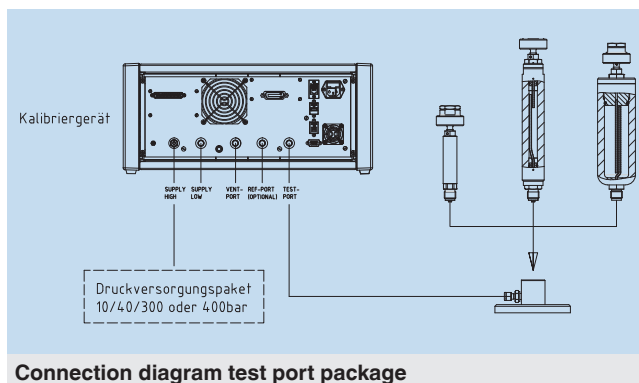
The test port package CPK-TP is a total package ready-to-connect for adapting test items, typically, to pressure controllers of the CPC series and for reference pressure measuring instruments of the CPG series. It consists of a measuring instrument stand or a table flange, as desired, as well as a connection column, dirt trap, separator or angled connection piece. The test item is usually mounted without tools via a knurled nut using changeable threaded inserts.

Applications

- Adaptation of test items to pressure controllers and reference pressure measuring instruments
- Separator for calibrating test items with different media
- Dirt trap for avoiding impurities in the test system

Components

- Measuring instrument stand or table flange
- Connection column, dirt trap, separator or angled connection piece
- Connecting hose (see model CPK-HO)



Connection diagram test port package

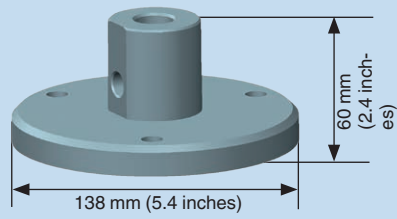
Supplementary individual components

- Threaded inserts
- Sealing sets
- Adapter sets
- Blind plugs

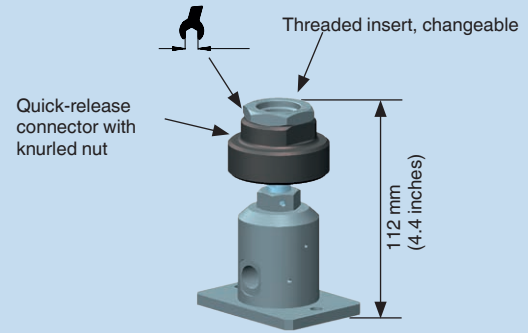
Specifications

	Measuring instrument stand		Table flange	
P_{max} ¹⁾	400 bar (6,000 psi)	2,500 bar (36,250 psi)	400 bar (6,000 psi)	1,600 bar (23,200 psi)
Pressure inlet	G ¼ female, incl. adapter on 6 mm Swagelok® tube fitting	9/16-18 UNF female	G ¼ female, incl. adapter on 6 mm Swagelok® tube fitting	9/16-18 UNF female
Pressure outlet	G ½ female	Quick-release connector M28 x 1.5 female thread, incl. changeable threaded inserts (as standard G ½ female thread)	G ½ female	

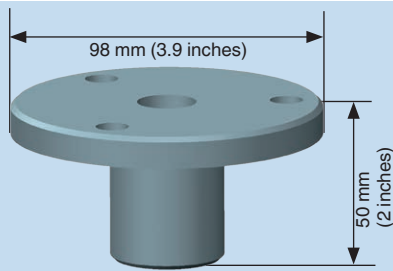
1) P_{max} refers to a single component. In combination with other components, for example hoses, the smallest admissible pressure applies



400 bar (6,000 psi) measuring instrument stand



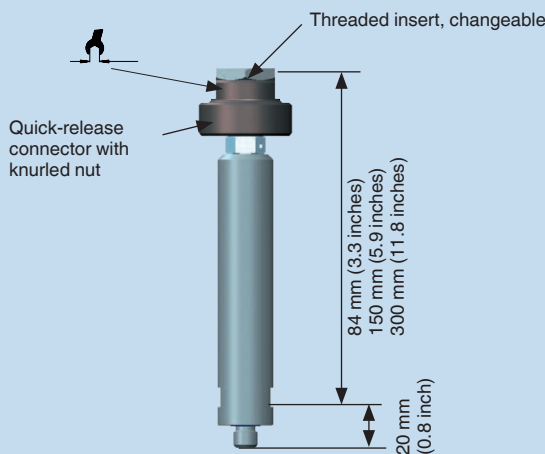
2,500 bar (36,250 psi) measuring instrument stand



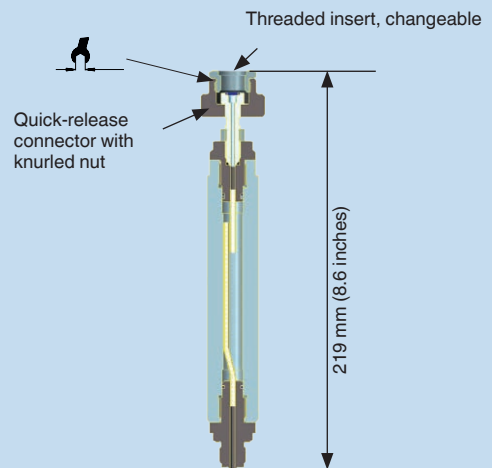
400 bar table flange (6,000 psi)

	Connection column	Dirt trap	Separator without diaphragm	Separator with diaphragm
$P_{max}^{1)}$	2,500 bar (36,250 psi)	1,000 bar (14,500 psi)		1,200 bar (17,400 psi)
Pressure connection	G ½ male			
Test item connection	Quick-release connector M28 x 1.5 female thread, incl. changeable threaded inserts (as standard G ½ female thread)			G ½ female thread

1) P_{max} refers to a single component. In combination with other components, for example hoses, the smallest admissible pressure applies



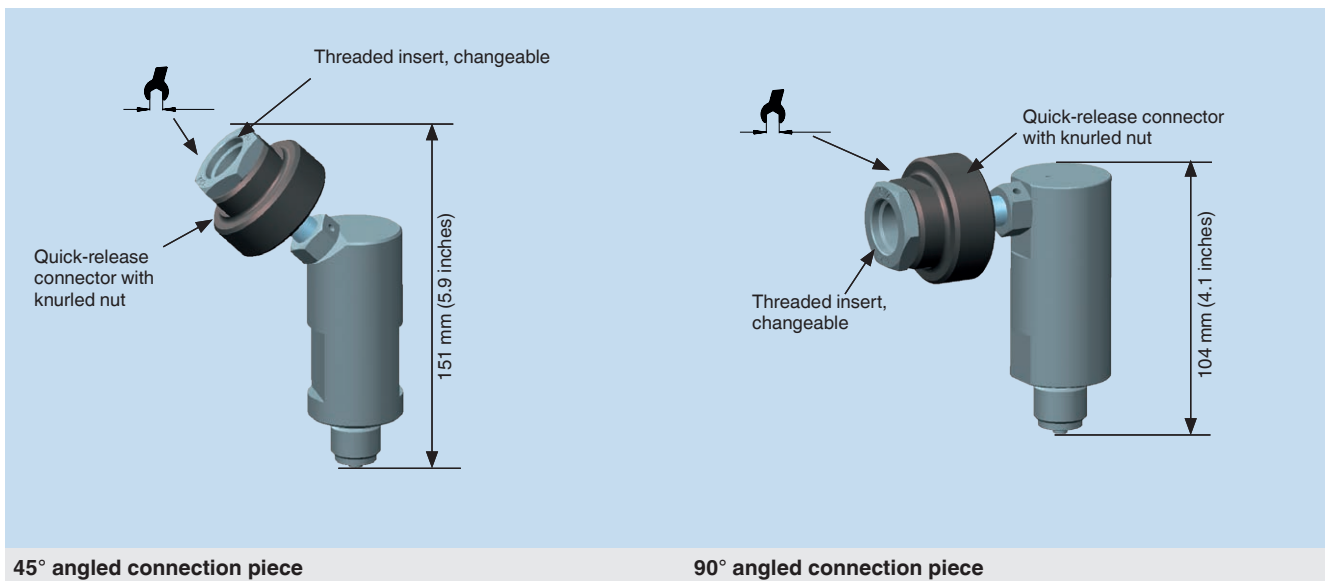
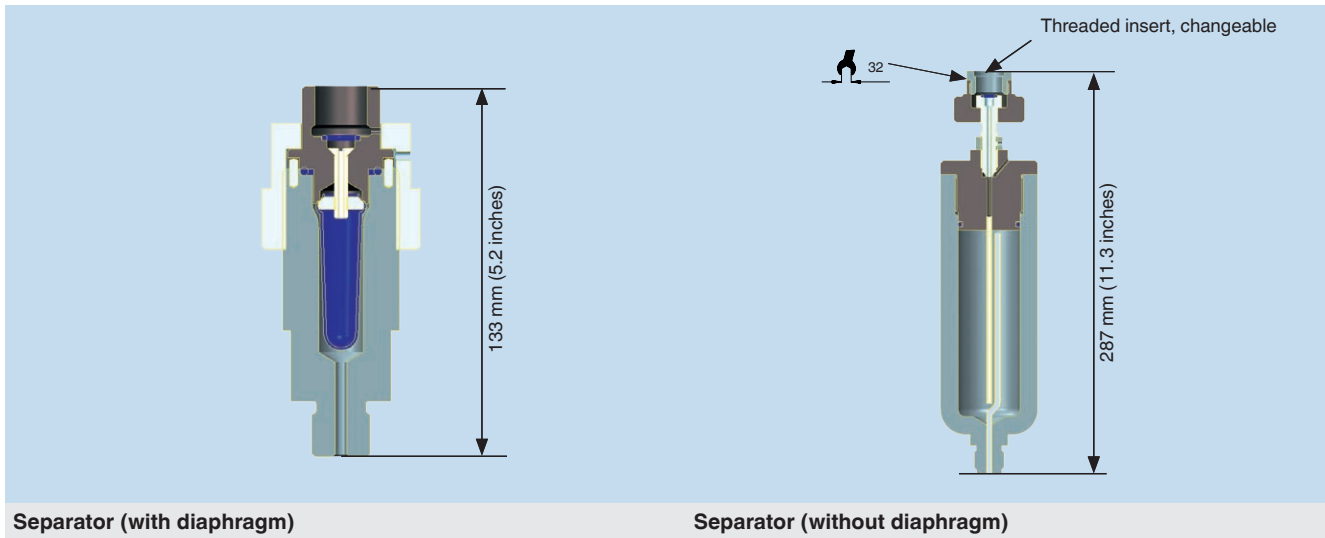
Connection column



Dirt trap

Test port package, model CPK-TP

Specifications



Test port package, model CPK-TP

Quick order code

Field no.	Code	Version
Measuring instrument stand (TP-GA)		
①	1	Measuring instrument stand, P _{max} = 400 bar (6,000 psi), incl. pressure connection adapter G ¼ on 6 mm Swagelok®
	2	Measuring instrument stand complete with connection column, P _{max} = 2,500 bar (36,250 psi), pressure connection 9/16 - 18 UNF
	3	Table flange, P _{max} = 400 bar (6,000 psi), incl. pressure connection adapter G ¼ on 6 mm Swagelok®
	4	Table flange, P _{max} = 1,600 bar (23,200 psi), pressure connection 9/16 - 18 UNF
Instrument adaptation (TP-AD)		
②	1	Connection column 84 mm (3.3 inches) incl. threaded insert G ½ female, P _{max} = 2,500 bar (36,250 psi)
	2	Connection column 150 mm (5.9 inches) incl. threaded insert G ½ female, P _{max} = 2,500 bar (36,250 psi)
	3	Connection column 300 mm (11.8 inches) incl. threaded insert G ½ female, P _{max} = 1,600 bar (23,200 psi)
	4	Dirt trap -1 ... 1,000 bar (-15 ... 14,500 psi) incl. threaded insert G ½ female, 0.2 ltr.
	5	Dirt trap -1 ... 1,000 bar (-15 ... 14,500 psi) incl. threaded insert G ½ female, 0.03 ltr.
	6	Separator (without diaphragm) incl. threaded insert G ½ female, P _{max} = 1,000 bar (14,500 psi)
	7	Separator (with diaphragm) incl. threaded insert G ½ female, P _{max} = 1,200 bar (17,400 psi)
	8	Angled connection piece 90° incl. threaded insert G ½ female, P _{max} = 2,500 bar (36,250 psi)
	9	Angled connection piece 45° incl. threaded insert G ½ female, P _{max} = 1,000 bar (14,500 psi)

Order code: CPK-TP-P- ① - ② Z - Z - Z*

*The order code includes the selected measuring instrument stand or table flange and optionally a connection column, a dirt trap, a separator or an angled connection piece. A connecting hose is available via the model CPK-HO.

Individual components for test port package model CPK-TP

Quick order code

Field no.	Code	Version
Accessories/individual components (TP-A)		
①	1	Threaded insert G ½
	2	Threaded insert G ¼ (sealing insert required for short threads)
	3	Threaded insert G ⅜ (sealing insert required for short threads)
	4	Threaded insert G ⅝
	5	Threaded insert G ¾
	6	Threaded insert ½ NPT
	7	Threaded insert G ¼ NPT (sealing insert required for short threads)
	8	Threaded insert ⅜ NPT (sealing insert required for short threads)
	9	Threaded insert ⅝ NPT (sealing insert required for short threads)
	A	Threaded insert M10 x 1 (sealing insert required for short threads)
	B	Threaded insert M12 x 1.5 (sealing insert required for short threads)
	C	Threaded insert M14 x 1.5 (sealing insert required for short threads)
	D	Threaded insert M20 x 1.5
	E	Threaded insert M20 x 1.5 LH
	F	Sealing insert for short threads with stud
	G	Sealing insert for short threads without stud
	H	O-ring set: 10 replacement seals (8 x 2) for the test connections, mat.: NBR
	I	Sealing set for separator: 1 Viton® seal ¹⁾ , 2 O-rings each 10 x 2 + 24 x 3, mat.: NBR 90
	J	Sealing set for separator: 1 butyl sealing, 2 O-rings each 10 x 2 + 24 x 3, mat.: EPDM
	K	Sealing set: 5 replacement seals G ¼ for changeable column/dirt trap
L	Adapter set for quick-release connector in case G ¼, G ⅝, ½ NPT, ¼ NPT and M20 x 1.5	
M	Adapter set "NPT" for quick-release connector in case E NPT, ¼ NPT, ⅝ NPT, and ½ NPT female	
N	Blind plug G ½, P _{max} = 2,500 bar (36,250 psi), mat.: stainless steel	

Order code: CPK-TP-AZZZ- ① - Z

1) Viton® is a registered trademark of DuPont Performance Elastomers.

Multiple distributor, model CPK-MD

The multiple distributors CPK-MD are used for mounting several test items. They are available in different versions, screw-on or stand-alone, with admissible pressure ranges between 1,600 bar (23,200 psi) and 7,000 bar (101,500 psi). The difference is that the stand-alone version has two mounting flanges and a lateral pressure connection, allowing it to be mounted on a solid surface. The screw-on version can be adapted directly to a connection column (e.g. of a dead-weight tester) or a test port package, using the pressure connection pointing downward.

Applications

- Adaptation of several test items for testing, calibrating and adjusting
- Test benches
- Adaptation to connection columns, dirt traps or separators

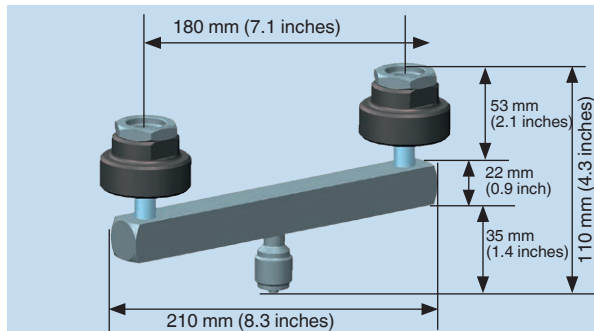
Supplementary individual components

- Connection adapters
- O-ring set
- Threaded inserts (see model CPK-TP)

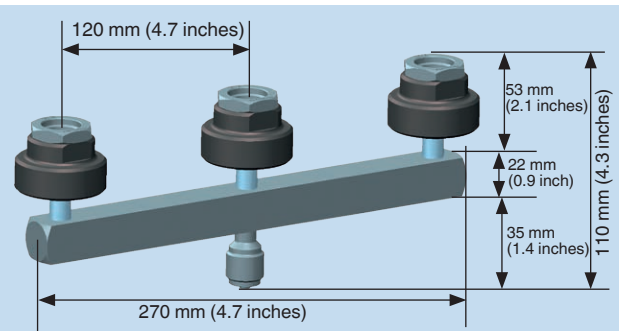
Specifications

Multiple distributor with pressure range up to 1,600 bar (23,200 psi)

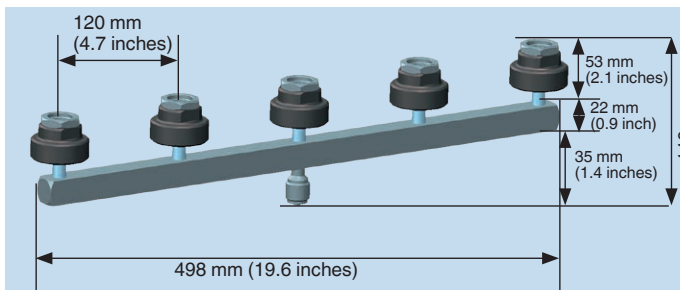
Version	Two-way distributor (screw-on)	Three-way distributor (screw-on)	Five-way distributor (screw-on)	Five-way distributor (stand-alone)
Pressure connection	G ½ male thread			
Connection location	lower mount			lateral
Test connections	Quick-release connector M28 x 1.5 female thread, incl. changeable threaded inserts (as standard G ½ female thread)			
Distance of the test connections	180 mm (7.1 inches)	120 mm (4.7 inches)		



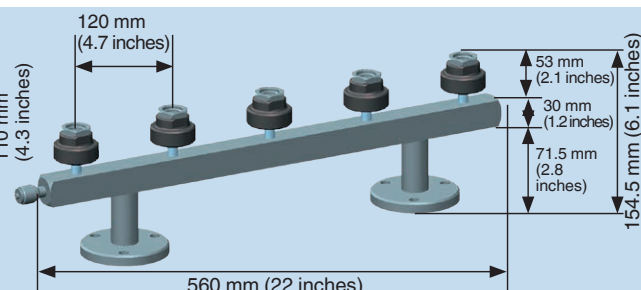
1,600 bar (23,200 psi) two-way distributor, screw-on



1,600 bar (23,200 psi) three-way distributor, screw-on



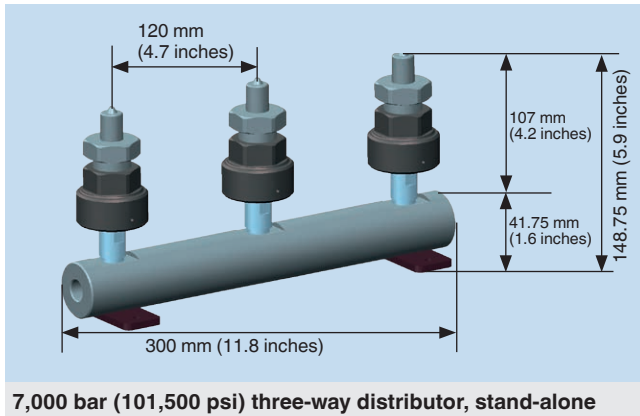
1,600 bar (23,200 psi) five-way distributor, screw-on



1,600 bar (23,200 psi) five-way distributor, stand-alone

Multiple distributor with pressure range up to 7,000 bar (101,500 psi)

Version	Three-way distributor (stand-alone)
Pressure connection	M16 x 1.5 female with sealing cone
Connection location	lateral
Test connections	Knurled nut G 3/4 incl. changeable thread adapters with sealing cone (as standard M16 x 1.5 male thread)
Distance of the test connections	120 mm (4.7 inches)



Multiple distributor, model CPK-MD

Quick order code

Field no.	Code	Version
Distributor (MD-D)		
①	1	Two-way distributor, screw-on, G 1/2 male, P _{max} = 1,600 bar (23,200 psi)
	2	Three-way distributor, screw-on, G 1/2 male, P _{max} = 1,600 bar (23,200 psi)
	3	Three-way distributor for high-pressure applications, stand-alone, M16 x 1.5 female, P _{max} = 7,000 bar (101,500 psi)
	4	Five-way distributor, screw-on, G 1/2 male, P _{max} = 1,600 bar (23,200 psi)
	5	Five-way distributor, stand-alone, G 1/2 male, P _{max} = 1,600 bar (23,200 psi)

Order code: CPK-MD-P - Z - Z

Individual components for multiple distributor, model CPK-MD

Quick order code

Field no.	Code	Version
Accessories/individual components (MD-A)		
①	1	O-ring set: 10 replacement seals (8 x 2) for the test connections, mat.: NBR
	2	Connection adapter G 1/2 female on 6 mm Swagelok® tube fitting, P _{max} = 400 bar (6,000 psi)
	3	Connection adapter G 1/2 female on Autoclave F250/HIP HF4 (Sno-Trik), P _{max} = 2,000 bar (30,000 psi)

Order code: CPK-MD-AZ - Z

Adapter, model CPK-AD

The adapters CPK-AD are designed for screwing them onto the hose ends of the connecting hoses of model CPK-HO. This allows adaptation of different calibration instruments or pressure supply components. The adapters are available in different versions matching the pressure range.

Applications

- Adapted to connecting hoses (model CPK-HO)
- Connection of different calibration instruments

Versions

Depending on the pressure range, the adapters are fitted with the following connections matching the connecting hoses of model CPK-HO:

- Vacuum: small flange DN16 or DN25 (optionally also with 6 mm Swagelok® tube fitting)
- ≤ 630 bar (9,135 psi): 6 mm Swagelok® tube fitting
- ≤ 2,000 bar (30,000 psi): Autoclave F250C/HIP HF4 (Sno-Trik)

The adapters are available in different thread sizes and types (see "Connection 2" in the quick order code).

Supplementary individual components

- MINIMESS® systems



Top: Adapter 6 mm Swagelok® on G ½ male

Bottom: Adapter 6 mm Swagelok® on G ½ female

Adapter, model CPK-AD

Quick order code for adapters

Field no.	Code	Version
Connection 1 (AD-C1)		
①	1	6 mm Swagelok® tube fitting
	2	Autoclave F250C/HIP HF4 (Sno-Trik)
Connection 2 (AD-C2)		
②	1	G ½ (only with 6 mm Swagelok® tube fitting)
	2	G ¼ (only with 6 mm Swagelok® tube fitting)
	3	G ⅙ (only with 6 mm Swagelok® tube fitting)
	4	G ⅜ (only with 6 mm Swagelok® tube fitting)
	5	½ NPT
	6	¼ NPT
	7	⅙ NPT (only with 6 mm Swagelok® tube fitting)
	8	⅜ NPT
	9	Knurled nut M28 x 1.5 incl. threaded insert G ½ (only with female connection type)
	A	Connection for pressure tapping point, MINIMESS® system, M16 x 2 G ¼ A, P _{max} = 400 bar (6,000 psi) (only with 6 mm Swagelok® tube fitting and connection type male)
	B	Connection for pressure tapping point, MINIMESS® system, M16 x 1.5 G ¼ A, P _{max} = 630 bar (9,135 psi) (only with 6 mm Swagelok® tube fitting and connection type male)
C	M16 x 1.5 with sealing cone	
D	M20 x 1.5 with sealing cone	
E	9/16-18 UNF with sealing cone	
Connection type (AD-CT)		
③	F	Female
	M	Male

Order code: CPK-AD- ① ② ③ - Z

Adapter, MINIMESS® systems

Description	Order number
Connection for pressure transmitter, MINIMESS® system, M16 x 2 G ½ female, P _{max} = 400 bar (6,000 psi)	9072306
Connection for pressure transmitter, MINIMESS® system, M16 x 1.5 G ½ female, P _{max} = 630 bar (9,135 psi)	9072314

Connecting hoses, model CPK-HO

The connecting hoses are used for connecting calibration instruments to the pressure supply and for assembling complete calibration set-ups. The different hose types depend on the pressure range and the medium used. They are available in different lengths and different connections.

Applications

- Connection between calibration instrument and pressure supply
- Assembly of calibration and adjustment stations

Versions

The connecting hoses are available in different materials, depending on the pressure range and medium. They are available in sections up to 5 m (15 ft) max. in length and can be extended as desired by means of bulkhead fittings.

Supplementary individual components

- Threaded connections for hose extension
- Connection adapter (see model CPK-AD)



Connecting hose with 6 mm Swagelok® tube fitting both sides

Specifications

Pressure range	Material	Allowed media	Bending radius	Diameter	Connection ¹⁾
Vacuum ²⁾	Stainless steel 1.4301 and 1.4404	-	DN16: 146 mm DN25: 103 mm	DN16 DN25	Small flange DN16 / DN25
≤ 27 bar (390 psi)	Polyamide	non-aggressive gases and liquids	20 mm	Inner Ø 4 mm Outer Ø 6 mm	6 mm Swagelok® union nut
≤ 630 bar (9,135 psi)	Polyamide	non-aggressive gases and liquids	20 mm	Inner Ø 2 mm Outer Ø 5 mm	6 mm Swagelok® union nut
≤ 2,000 bar (30,000 psi)	Polyoxymethylene (POM), polyamide (PA)	non-aggressive liquids	110 mm	Inner Ø 3.4 mm Outer Ø 8 mm	Autoclave F250/HIP HF4

¹⁾ Standard connections on both ends, other connections are possible via adapters (see model CPK-AD)

²⁾ Maximum hose length 1 m (3 ft)

Connecting hoses, model CPK-HO

Quick order code

Field no.	Code	Version
Pressure range (HO-PR)		
①	2	≤ 27 bar (390 psi)
	5	≤ 630 bar (9,135 psi)
	7	≤ 2,000 bar (30,000 psi) (only possible with connections A and B: Autoclave F250C/HIP HF4 (Sno-Trik))
	V	Vacuum (only 1 m (3 ft) of hose length possible)
Hose length (HO-LE)		
②	1	0.5 m (1.5 ft) (only possible with pressure range ≤ 2,000 bar (30,000 psi))
	2	1 m (3 ft)
	3	2 m (6 ft)
	4	3 m 9 ft
	5	5 m (15 ft) (only possible with pressure range ≤ 2,000 bar (30,000 psi))
Medium (HO-MED)		
③	G	Gaseous
	H	Hydraulic
Connection A (HO-CA)		
④	1	DN25
	2	6 mm Swagelok®
	3	Autoclave F250C/HIP HF4 (Sno-Trik)
	4	DN16
Connection B (HO-CB)		
⑤	1	DN25
	2	6 mm Swagelok®
	3	Autoclave F250C/HIP HF4 (Sno-Trik)
	4	DN16

Order code: CPK-HO-P ① ② ③ ④ ⑤ -Z -Z

Individual components for connecting hoses, model CPK-HO

Quick order code

Field no.	Code	Version
Accessories/individual components (HO-A)		
①	1	Straight screw connection on 6 mm Swagelok® tube fitting for hose extension
	2	Straight screw connection on Sno-Trik for hose extension
	3	Centring and clamping ring on DN25 for hose extension
	4	Centring and clamping ring on DN16 for hose extension

Order code: CPK-HO-AZZZZZ - ① -Z

Pressure manifold, model CPK-PM

The pressure manifold CPK-PM allows adjustment and calibration of pressure measuring instruments of a wide range of versions with gaseous media. It is available as a low-pressure and high-pressure version and equipped with two test connections for mounting a reference instrument and test item. Fine metering valves allow the desired pressure or vacuum to be set very precisely.

Applications

- Adjustment and calibration of pressure measuring instruments
- Holder for test item and reference instrument
- Pressure control by means of fine metering valves

Components

The pressure manifold is available with changeable column (1) or dirt trap (2), as desired

Changeable column

Changeable columns are used for mounting pressure measuring instruments.

Dirt trap

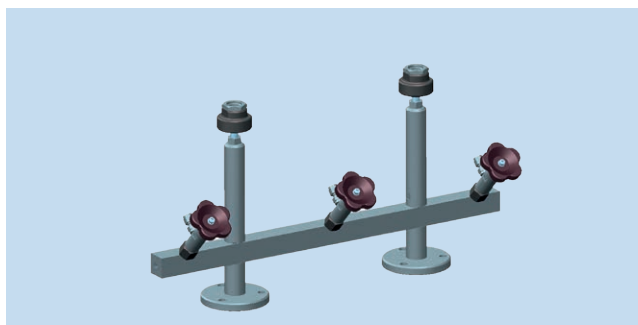
Using a dirt trap prevents impurities of the test item from entering the test system.

Supplementary individual components

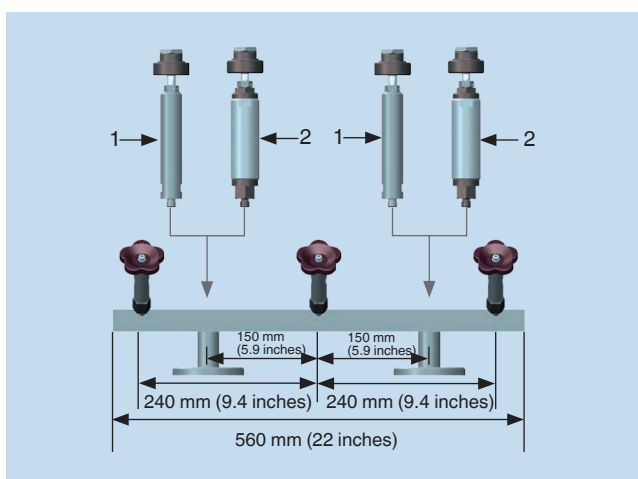
- Fine adjustment valves
- Maintenance, sealing and O-ring set
- Threaded inserts (see model CPK-TP)

Specifications

Pressure manifold			
Version	-1 ... 30 bar (-15 ... 435 psi)	0 ... 30 bar (0 ... 435 psi)	-1 ... 400 bar (-15 ... 6,000 psi)
Pressure inlet	6 mm Swagelok® tube fitting		
Medium	Clean, dry, non-corrosive gases (e.g. air or nitrogen)		
Connection for changeable column	G ¼ B female thread		
Test item connection	S quick-release connector M28 x 1.5 female thread, incl. changeable threaded inserts (as standard G ½ female thread)		



Pressure manifold with changeable columns



Pressure manifold with changeable column (1) and dirt trap (2)

Pressure manifold, model CPK-PM

Quick order code

Field no.	Code	Version
Measuring range (PM-MR)		
①	1	-1 ... 30 bar (-15 ... 435 psi)
	2	0 ... 30 bar (0 ... 435 psi)
	3	-1 ... 400 bar (-15 ... 6,000 psi)
	4	0 ... 400 bar (0 ... 6,000 psi)
Connection column right (PM-CCR)		
②	1	Changeable column
	2	Dirt trap -1 ... 400 bar (-15 ... 6,000 psi), small volume
	3	Dirt trap -1 ... 400 bar (-15 ... 6,000 psi), large volume
Connection column left (PM-CCL)		
③	1	Changeable column
	2	Dirt trap -1 ... 400 bar (-15 ... 6,000 psi), small volume
	3	Dirt trap -1 ... 400 bar (-15 ... 6,000 psi), large volume

Order code: CPK-PM-P - Z - Z

Individual components for pressure manifold, model CPK-PM

Quick order code

Field no.	Code	Version
Accessories/individual components (PM-A)		
①	1	Changeable column
	2	Dirt trap -1 ... 400 bar (-15 ... 6,000 psi), small volume: 0.03 litre
	3	Dirt trap -1 ... 400 bar (-15 ... 6,000 psi), large volume: 0.2 litre
	4	Fine adjustment valve for 30 bar pressure manifold (435 psi)
	5	Fine adjustment valve for 400 bar pressure manifold (6,000 psi)
	6	Table fixing device for 30 bar fine adjustment valve (435 psi)
	7	Maintenance set: 5 replacement seals for 30 bar fine metering valve (435 psi)
	8	O-ring set: 10 replacement seals (8 x 2) for the test connections, mat.: NBR
	9	Sealing set: 5 replacement seals G ¼ for changeable column/dirt trap
	A	Blind plug G ½, P _{max} = 2,500 bar (36,250 psi), mat.: stainless steel

Order code: CPK-PM-AZZZ- - Z

Cylinder pressure reducer, model CPK-PR

Precision pressure reducers CPK-PR are used for test pressure presetting in calibration and adjustment of pressure measuring instruments. The pressure reducers are completely fitted with inlet and output pressure gauges, connection pieces for compressed-air and nitrogen cylinders and hose connections. The pressure reducers are available in different versions, depending on the medium used, the input and output pressures and the cylinder connection.

Applications

- Pressure supply of pressure controllers (CPC3000, CPC6000 and CPC8000)
- Test pressure presetting in adjustment and calibration applications

Components

- Pressure reducer
- Input and output pressure gauge
- Adapter on 6 mm Swagelok® tube fitting



One-stage pressure reducer



Two-stage pressure reducer

Specifications

Cylinder pressure/input pressure 200 bar

Control range	0 ... 170 mbar (0 ... 2.5 psi)	0 ... 500 mbar (0 ... 7.25 psi)	0 ... 2.1 bar (0 ... 30.5 psi)	1 ... 17 bar (15 ... 247 psi)	1 ... 50 bar (15 ... 725 psi)	5 ... 200 bar (72.5 ... 3,000 psi)
Version	Two-stage with initial pressure compensation			One-stage		
Pressure outlet	E NPT female thread, incl. adapter on 6 mm Swagelok® tube fitting			¼ NPT female thread, incl. adapter on 6 mm Swagelok® tube fitting		
Pressure inlet/cylinder connection	Nitrogen cylinder: W24.32 x 1/14" to DIN 477, part 1, no. 10					
	Compressed-air cylinder: G G to DIN 477, part 1, no. 13					

Cylinder pressure/input pressure 300 bar (4,350 psi)

Control range	1 ... 17 bar (15 ... 247 psi)	1 ... 50 bar (15 ... 725 psi)	5 ... 300 bar (72.5 ... 4,350 psi)
Version	One-stage		
Pressure outlet	¼ NPT female thread, incl. adapter on 6 mm Swagelok® tube fitting		
Pressure inlet/cylinder connection	Nitrogen cylinder: W30 x 2 (15.9/20.1) to DIN 477, part 5, no. 54		
	Compressed-air cylinder: W30 x 2 (16.6/19.4) to DIN 477, part 5, no. 56		

Pressure reducer, model CPK-PR

Quick order code for pressure reducers

Field no.	Code	Version
Medium (PR-MED)		
①	C	Compressed air
	N	Nitrogen
Cylinder pressure/input pressure (PR-IP)		
②	1	200 bar (3,000 psi)
	2	300 bar (4,350 psi)
Output pressure (PR-OP)		
③	1	0 ... 170 mbar (0 ... 2.5 psi) (only possible with 200 bar cylinder pressure/input pressure)
	2	0 ... 500 mbar (0 ... 7.25 psi) (only possible with 200 bar cylinder pressure/input pressure and pressure outlet connection 1/8 NPT)
	3	0 ... 2.1 mbar (0 ... 30.5 psi) (only possible with 200 bar cylinder pressure/input pressure and pressure outlet connection 1/8 NPT)
	4	1 ... 17 bar (15 ... 247 psi) (only possible with pressure outlet connection 1/4 NPT)
	5	1 ... 50 bar (15 ... 725 psi) (only possible with pressure outlet connection 1/4 NPT)
	7	5 ... 200 bar (72.5 ... 3,000 psi) (only possible with 200 bar cylinder pressure/input pressure and pressure outlet connection 1/4 NPT)
	8	5 ... 300 bar (72.5 ... 4,350 psi) (only possible with 200 bar cylinder pressure/input pressure and pressure outlet connection 1/4 NPT)
	Pressure outlet connection (PR-COP)	
④	1	1/4 NPT female incl. adapter on 6 mm Swagelok® tube fitting
	2	1/8 NPT female incl. adapter on 6 mm Swagelok® tube fitting

Order code: CPK-PR- ^① [] - ^② [] - ^③ [] - Z

Volume displacer

Volume displacers are designed for fine adjustment when approaching the individual measuring points during adjustment and calibration of pressure measuring instruments.

Applications

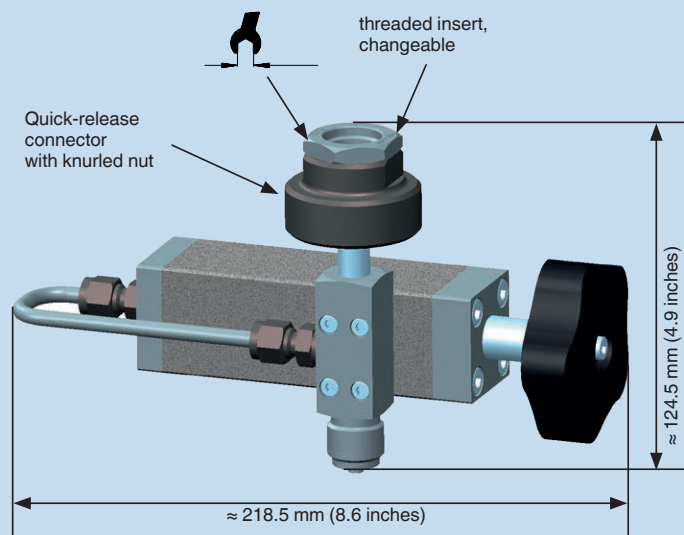
- Adjustment and calibration of pressure measuring instruments
- Fine adjustment of measuring points
- Mounted to pressure manifolds, pressure supply cases or connection columns

Special features

Volume displacers are designed for use with gaseous test media. They are fitted with a threaded connection G ½ B male. On the measuring instrument side the volume displacers are fitted with a knurled nut M28 x 1.5 and a threaded insert G ½.

Supplementary individual components

- Threaded inserts (see model CPK-TP)

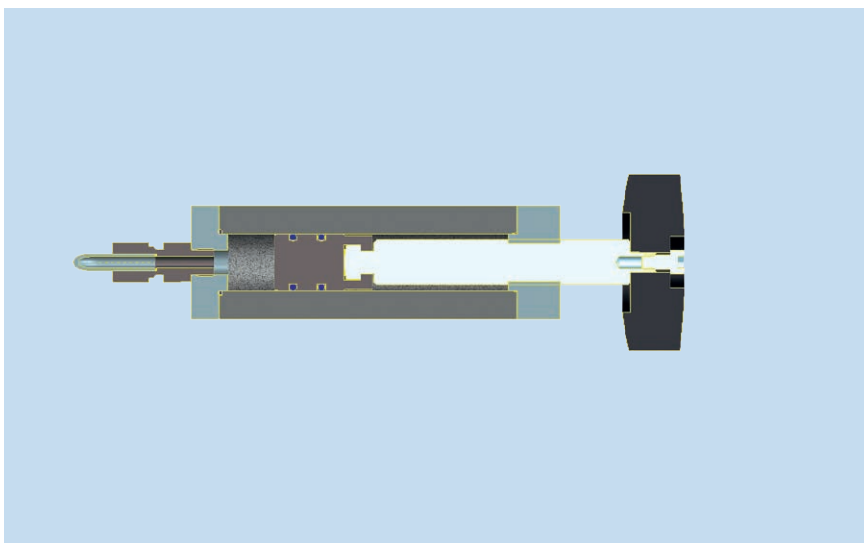


Volume displacer -1 ... 30 bar (-15 ... 435 psi)

Specifications

Volume displacer

Pressure range	-1 ... 30 bar (-15 ... 435 psi)
Pressure connection	G ½ male thread
Test connection	Quick-release connector M28 x 1.5 female thread, incl. changeable threaded inserts (as standard G ½ female thread)



Volume displacer -1 ... 30 bar (-15 ... 435 psi), sectional view

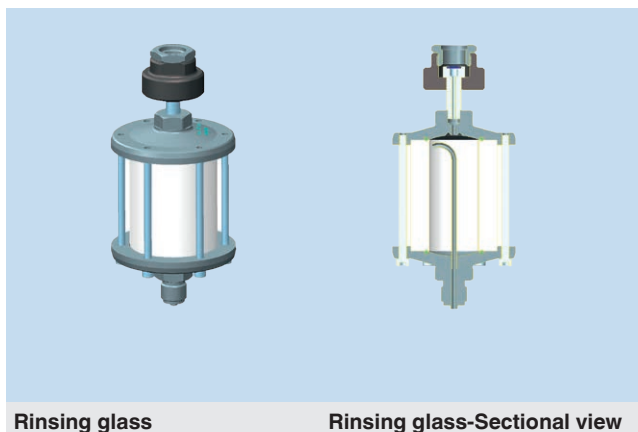
Description	Order number
Volume displacer, -1 ... 30 bar (-15 ... 435 psi)	1565419

Calibration and adjustment tools

Rinsing glass

Applications

The rinsing glass is adapted to connection adapters and changeable columns for rinsing measuring systems to remove impurities. On the pressure side it is fitted with a threaded connection G ½ B and on the measuring instrument side with a knurled nut M28 x 1.5 with changeable threaded insert G ½. P_{max} 10 bar (145 psi).



Order number

1564919

Rinsing glass

Rinsing glass-Sectional view

Filling glass

Applications

The filling glass is used for filling measuring systems with liquid testing media prior to adjustment or calibration. The liquid test medium in the filling glass is sucked into the measuring system by evacuation of the measuring system and subsequent venting. On the vacuum side it is fitted with a threaded connection G ½ male and on the measuring instrument side with a knurled nut M28 x 1.5 with changeable threaded insert G ½.



Order number

2040603

Filling glass

Pointer plier

Applications

The pointer pliers allow the pointers on mechanical pressure measuring instruments to be removed without electrical accessories.

Order number for pointer plier 9091823

Order number for replacement pin 1312405

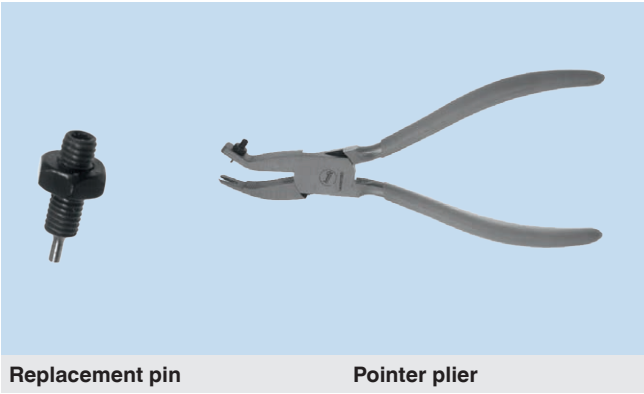
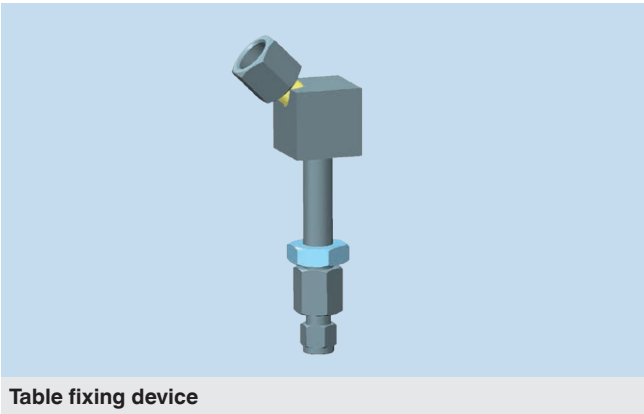


Table fixing device for fine adjustment valves

Applications

The table fixing device is used for mounting fine adjustment valves on table tops. Alternatively, the table fixing device can be used for adapting the fine adjustment valve to a pressure manifold.

Order number 2048396



WIKA – Your global and strong partner also in calibration technology

WIKA has successfully integrated renowned manufacturers of calibration instruments into the Group. Through the combination of experience and the product range, we can offer each customer the ideal solution for each measurement task. WIKA offers a unique range of products in all accuracy classes, from primary standards to simple hand-held instruments, all with different levels of automation.

A multitude of specific patents ensure unmatched performance characteristics with many of our calibration instruments. Our customers particularly appreciate the well-proven functionality of our instruments, which results from WIKA being not only a manufacturer of calibration equipment, but that these are also used in their own production and within their accredited laboratories.



The DH-Budenberg brand stands, like no other, for decades of experience in the manufacture of pressure balances. DH-Budenberg develops and manufactures industrial pressure balances with small measurement uncertainties. The instruments are suitable both for portable and stationary use.



For over 40 years, Mensor has been setting new standards through innovative products for the automation of pressure testing tasks. The pressure controllers are suitable both for sensitive use in laboratories and manufacturing.



Behind the WIKAI brand stand portable instruments for pressure and temperature, as well as current, voltage and resistance. Thanks to their robust design, they are ideally suited for calibration or testing tasks on site.



Calibration technology

From individual components ...

WIKA is the ideal partner for solutions in calibration technology, whether a single service instrument is required quickly on site, or whether a fully automated calibration system needs to be designed for the laboratory or production.

We are able to offer an appropriate solution for each application. In relation to the measuring task and the measurands, the following product matrix will assist you.



Portable pressure generation

Test pumps serve as pressure generators for the testing of mechanical and electronic pressure measuring instruments through comparative measurements. These pressure tests can take place in the laboratory or workshop, or on site at the measuring point.



Measuring components

High-accuracy pressure sensors and very stable standard thermometers are ideal for applications as references in industrial laboratories. Due to their analogue or digital interfaces, they can be connected to existing evaluation instruments.



Hand-helds, calibrators

Our hand-held measuring instruments (process tools) offer a simple capability for measurement or simulation of all established measurands on site. They can be operated with a wide variety of pressure sensors or thermometers.

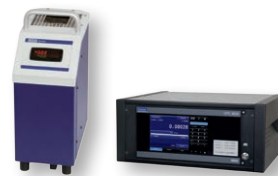


... to a fully automated system



Digitally indicating precision measuring instruments

High-accuracy digital precision measuring instruments are ideal for applications as reference standards in industrial laboratories, enabling high-accuracy calibration. They feature exceptionally simple handling and an extensive range of functionality.



Digital precision instruments and controllers

Due to their integrated controller, these instruments offer exceptional convenience. Typically, a fully automated setting of the required value can be set via the interface.



Fully automated calibration systems as complete solutions

Fully automated calibration systems are customer-specific, turnkey installations which can be fitted in laboratories as well as in the production environment. With integrated reference instruments and calibration software, calibration certificates can be generated and archived in a simple and reproducible way.



Calibration

Product quality, operational safety and cost effectiveness relate directly to an accurate and reliable registration of the process variables. Therefore, you should entrust the calibration and maintenance of your measuring instruments to a competent partner.

Since 1982, the WIKA calibration & service centre in Klingenberg has been a member of the German Calibration Service (Deutscher Kalibrierdienst - DKD) and is accredited to DIN EN ISO/IEC 17025. Since then we have been actively participating in DKD working groups as well as standardisation committees – contributing our experience to technological progress.

Carrying out a calibration

Prior to calibration an evaluation of the calibration capability of the instruments is performed and, if necessary, an adjustment is made.

The calibration is carried out in accordance with the valid directives. The results of the calibration are documented in a calibration certificate and the calibration item receives a calibration mark.

We calibrate pressure, temperature and electrical measuring instruments of our own manufacture, as well as those of other manufacturers. Depending on your requirements you can select either a traceable calibration or a factory calibration.

DKD/DAkKS calibration

- List of single measured values
 - Specification of the applied reference standard
 - Calculation of mathematical parameters
 - Calculation of the expanded measurement uncertainty (as required in ISO 9001)
-
- Traceability to the national standard of the PTB is guaranteed
-
- Documentation and graphic illustration in a traceable certificate
-
- European co-operation for Accreditation ensures worldwide acceptance

→ DKD/DAkKS calibration certificate

Factory calibration

- List of single measured values
 - Specification of the applied reference standard
-
- Traceability of the inspection equipment to the national standard is given, as a rule
-
- Documentation in an inspection certificate (no formal obligation)
-
- No normative or internationally agreed standards

→ Inspection certificate per DIN EN 10 204

Calibration services

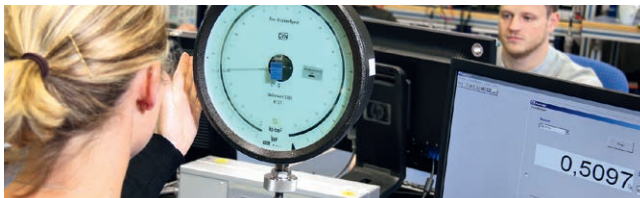


Our calibration laboratories have been calibrated for pressure and temperature for over 30 years. Since 2014, our calibration laboratory has also been accredited for the electrical measurands DC current, DC voltage and DC resistance.

- ISO 9001 certified
- DKD/DAkkS accredited (in accordance with DIN EN ISO/IEC 17025)
- Co-operation in the DKD/DAkkS working groups
- Over 60 years of experience in pressure and temperature measurement
- Highly qualified, individually trained personnel
- Latest reference instruments with the highest accuracy

Manufacturer-independent calibration - fast and precise for ...

Pressure



- -1 bar ... +8,000 bar (-15 ... 116,000 psi)
- using high-accuracy reference standards (pressure balances) and working standards (precise electrical pressure measuring instruments)
- with an accuracy of 0.003 % ... 0.01 % of reading
- in accordance with the directives DIN EN 837, DAkkS-DKD-R 6-1, EURAMET cg-3 or EURAMET cg-17

Temperature



- -196 °C ... +1,200 °C (-321 °F ... +2,192 °F)
- in calibration baths and tube furnaces using appropriate reference thermometers
- with an accuracy of 2 mK ... 1.5 K or with various fixed points (e.g. water, gallium, zinc, tin and aluminium)
- in accordance with the appropriate DKD/DAkkS and EURAMET directives

Electrical measurands



- DC current from 0 mA ... 100 mA
- DC voltage from 0 V ... 100 V
- DC resistance from 0 Ω ... 10 kΩ
- in accordance with the directives: VDI/VDE/DGQ/DKD 2622

On site (pressure and temperature)



In order to have the least possible impact on the production process, we offer you a time-saving, on-site DAkkS calibration throughout Germany (measurand pressure).

- in our calibration van or on your workbench
- with a DAkkS accreditation for pressure
 - from -1 bar ... +8,000 bar (-15 ... 116,000 psi)
 - with accuracies between 0.025 % and 0.1 % of full scale for the standard used
- Factory calibration for temperature from -55 ... +1,100 °C (-67 ... 2012 °F)

Service products

Service package “Basic”

The “Basic” service package immediately lets you plan your servicing even better. You only have to compile your individual package from the services available, define the service intervals and the duration - and we take care of everything else.



Service package “Take Care”

Long-term stability is one of the major criteria for a calibration instrument. With our “Take Care” service package we not only offer you the best functional safety for your WIKA calibration instrument, but also reduce your service costs at the same time. In addition, you will enjoy further exclusive privileges on our service products - this ensures that you will appreciate your WIKA calibration instrument for a long time!



Express service

Long downtimes of your measuring instruments are a thing of the past with the WIKA express service. We calibrate and repair your instruments in minimal time while meeting the highest quality claims.



Collect and return service

A date for servicing your calibration instrument always requires a little effort. But there is another way: With our collect and return service we can transport your measuring and calibration instruments safely, reliably and without risk. Simply book the collect and return service at your convenience through our service team - we will organise the rest!



Rental and lend service

You calibrate measuring instruments in your processes and currently have capacity shortages? Just get an additional calibration instrument - WIKA's rental and lend service provides you quickly and without any great investments with the adequate calibration instrument for your application.



SF₆ service

Whether directly on site or in our WIKA calibration & service centre, you will receive professional services for all SF₆ products: calibration, quality analysis and leak location. With the WIKA calibration vans, accredited to DIN EN ISO/IEC 17025, we can calibrate and repair your measuring devices directly on your premises.



Service and consulting



Hotline for calibration and repair

Information on calibration in the WIKA laboratory or on-site calibrations is available from our CT service team.

Monday - Friday from **6.30 a.m. to 4 p.m.**
 Phone **+49 9372 132-5049**
ctserviceteam@wika.com

Seminars

Our seminars on the topic of calibration technology let you expand your know-how, further your practical knowledge and keep you abreast of the latest developments. In addition to learning about the theoretical basics, you will be carrying out calibrations yourself, both manually and fully automated, with the aid of tasks in the practical part.

- Calibration seminar, pressure
- Calibration seminar, temperature



Current dates can be found on our website.

Online services

Further information on our services and products offering can also be found on our website.



Training

In addition to our calibration seminars, you also have the option of receiving training customised to your needs. No matter if for one person or a group, on your premises or at WIKA - you design your training.

- Product training
- Calibration training
- Software training

Enquiry form for calibrations

Do you need a non-binding offer for a calibration? Simply use the following form. We will be pleased to help you!



Hotline for calibration instruments

We would be pleased to assist and advise you in the selection of suitable solutions for extending your equipment pool.

Phone **+49 9372 132-5015**
ctsales@wika.com

WIKA worldwide

Europe

Austria
WIKA Messgerätevertrieb
Ursula Wiegand GmbH & Co. KG
Perfektastr. 73
1230 Vienna
Tel. +43 1 8691631
Fax: +43 1 8691634
info@wika.at
www.wika.at

Belarus
WIKА Belrus
Ul. Zaharova 50B, Office 3H
220088 Minsk
Tel. +375 17 2945711
Fax: +375 17 2945711
info@wika.by
www.wika.by

Benelux
WIKА Benelux
Industrial estate De Berk
Newtonweg 12
6101 WX Echt
Tel. +31 475 535500
Fax: +31 475 535446
info@wika.nl
www.wika.nl

Bulgaria
WIKА Bulgaria EOOD
Akad.Ivan Geshov Blvd. 2E
Business Center Serdika, office 3/104
1330 Sofia
Tel. +359 2 82138-10
Fax: +359 2 82138-13
info@wika.bg
www.wika.bg

Croatia
WIKА Croatia d.o.o.
Hrastovicka 19
10250 Zagreb-Lucko
Tel. +385 1 6531-034
Fax: +385 1 6531-357
info@wika.hr
www.wika.hr

Finland
WIKА Finland Oy
Melkonkatu 24
00210 Helsinki
Tel. +358 9 682492-0
Fax: +358 9 682492-70
info@wika.fi
www.wika.fi

France
WIKА Instruments s.a.r.l.
Immeuble Le Trident
38 avenue du Gros Chêne
95220 Herblay
Tel. +33 1 787049-46
Fax: +33 1 787049-59
info@wika.fr
www.wika.fr

Germany
WIKА Alexander Wiegand SE & Co. KG
Alexander-Wiegand-Str. 30
63911 Klingenberg
Tel. +49 9372 132-0
Fax: +49 9372 132-406
info@wika.de
www.wika.de

Italy
WIKА Italia S.r.l. & C. S.a.s.
Via G. Marconi 8
20020 Arese (Milano)
Tel. +39 02 93861-1
Fax: +39 02 93861-74
info@wika.it
www.wika.it

Poland
WIKА Polska spółka z ograniczoną
odpowiedzialnością sp. k.
Ul. Legska 29/35
87-800 Wloclawek
Tel. +48 54 230110-0
Fax: +48 54 230110-1
info@wikapolska.pl
www.wikapolska.pl

Romania
WIKА Instruments Romania S.R.L.
050897 Bucuresti
Calea Rahovei Nr. 266-268
Corp 61, Etaj 1
Tel. +40 21 4048327
Fax: +40 21 4563137
info@wika.ro
www.wika.ro

Russia
AO WIKА MERA
Wjatskaya Str. 27, Building 17
Office 205/206
127015 Moscow
Tel. +7 495-648018-0
Fax: +7 495-648018-1
info@wika.ru
www.wika.ru

Serbia
WIKА Merna Tehnika d.o.o.
Sime Solaje 15
11060 Beograd
Tel. +381 11 2763722
Fax: +381 11 753674
info@wika.rs
www.wika.rs

Spain
Instrumentos WIKА S.A.U.
C/Josep Carner, 11-17
08205 Sabadell Barcelona
Tel. +34 933 9386-30
Fax: +34 933 9386-66
info@wika.es
www.wika.es

Switzerland
MANOMETER AG
Industriestrasse 11
6285 Hitzkirch
Tel. +41 41 91972-72
Fax: +41 41 91972-73
info@manometer.ch
www.manometer.ch

Turkey
WIKА Instruments Istanbul
Basinc ve Sicaklik Ölçme Cihazlari
lth. lhr. ve Tic. Ltd. Sti.
Bayraktar Bulvarı No. 17
34775 Yukari Dudullu - Istanbul
Tel. +90 216 41590-66
Fax: +90 216 41590-97
info@wika.com.tr
www.wika.com.tr

Ukraine
TOV WIKА Prylad
M. Raskovoy Str. 11, A
PO 200
02660 Kyiv
Tel. +38 044 4968380
Fax: +38 044 4968380
info@wika.ua
www.wika.ua

United Kingdom
WIKА Instruments Ltd
Merstham, Redhill RH13LG
Tel. +44 1737 644-008
Fax: +44 1737 644-403
info@wika.co.uk
www.wika.co.uk

North America

Canada
WIKА Instruments Ltd.
Head Office
3103 Parsons Road
Edmonton, Alberta, T6N 1C8
Tel. +1 780 4637035
Fax: +1 780 4620017
info@wika.ca
www.wika.ca

USA
WIKА Instrument, LP
1000 Wiegand Boulevard
Lawrenceville, GA 30043
Tel. +1 770 5138200
Fax: +1 770 3385118
info@wika.com
www.wika.com

Gayesco-WIKА USA, LP
229 Beltway Green Boulevard
Pasadena, TX 77503
Tel. +1 713 47500-22
Fax: +1 713 47500-11
info@wikahouston.com
www.wika.us

Mensor Corporation
201 Barnes Drive
San Marcos, TX 78666
Tel. +1 512 396-4200
Fax: +1 512 396-1820
sales@mensor.com
www.mensor.com

Latin America

Argentina
WIKА Argentina S.A.
Gral. Lavalle 3568
(B1603AUH) Villa Martelli
Buenos Aires
Tel. +54 11 47301800
Fax: +54 11 47610050
info@wika.com.ar
www.wika.com.ar

Brazil
WIKА do Brasil Ind. e Com. Ltda.
Av. Ursula Wiegand, 03
18560-000 Iperó - SP
Tel. +55 15 3459-9700
Fax: +55 15 3266-1196
vendas@wika.com.br
www.wika.com.br

Chile
WIKА Chile S.p.a.
Av. Coronel Pereira 72
Oficina 101
Las Condes - Santiago de Chile
Tel. +56 2 365-1719
info@wika.cl
www.wika.cl

Colombia
Instrumentos WIKА Colombia S.A.S.
Avenida Carrera 63 # 98 - 25
Bogotá - Colombia
Tel. +57 1 624 0564
info@wika.co
www.wika.co

Mexico
Instrumentos WIKА Mexico
S.A. de C.V.
Vienna 20 Ofna 301
Col. Juarez, Del. Cuauhtemoc
06600 Mexico D.F.
Tel. +52 55 50205300
Fax: +52 55 50205300
ventas@wika.com
www.wika.mx

Asia

Azerbaijan
WIKА Azerbaijan LLC
Caspian Business Center
9th floor 40 J.Jabbarli str.
AZ1065 Baku
Tel. +994 12 49704-61
Fax: +994 12 49704-62
info@wika.az
www.wika.az

China
WIKА Instrumentation Suzhou Co., Ltd.
81, Ta Yuan Road, SND
Suzhou 215011
Tel. +86 512 6878 8000
Fax: +86 512 6809 2321
info@wika.cn
www.wika.com.cn

India
WIKА Instruments India Pvt. Ltd.
Village Kesnand, Wagholi
Pune - 412 207
Tel. +91 20 66293-200
Fax: +91 20 66293-325
sales@wika.co.in
www.wika.co.in

Iran
WIKА Instrumentation Pars Kish
(KFZ) Ltd.
Apt. 307, 3rd Floor
8-12 Vanak St., Vanak Sq., Tehran
Tel. +98 21 88206-596
Fax: +98 21 88206-623
info@wika.ir
www.wika.ir

Japan
WIKА Japan K. K.
MG Shibaura Bldg. 6F
1-8-4, Shibaura, Minato-ku
Tokyo 105-0023
Tel. +81 3 5439-6673
Fax: +81 3 5439-6674
info@wika.co.jp
www.wika.co.jp

Kazakhstan
TOO WIKА Kazakhstan
Raimbekstr. 169, 3rd floor
050050 Almaty
Tel. +7 727 2330848
Fax: +7 727 2789905
info@wika.kz
www.wika.kz

Korea
WIKА Korea Ltd.
39 Gajangsaneopseo-ro Osan-si
Gyeonggi-do 447-210
Tel. +82 2 86905-05
Fax: +82 2 86905-25
info@wika.co.kr
www.wika.co.kr

Malaysia
WIKА Instrumentation (M) Sdn. Bhd.
No. 23, Jalan Jurukur U1/19
Hicom Glenmarie Industrial Park
40150 Shah Alam, Selangor
Tel. +60 3 5590 6666
info@wika.my
www.wika.my

Philippines
WIKА Instruments Philippines, Inc.
Unit 102 Skyway Twin Towers
351 Capt. Henry Javier St.
Bgy. Oranbo, Pasig City 1600
Tel. +63 2 234-1270
Fax: +63 2 695-9043
info@wika.ph
www.wika.ph

Singapore
WIKА Instrumentation Pte. Ltd.
13 Kian Teck Crescent
628878 Singapore
Tel. +65 6844 5506
Fax: +65 6844 5507
info@wika.sg
www.wika.sg

Taiwan
WIKА Instrumentation Taiwan Ltd.
Min-Tsu Road, Pinjen
32451 Taoyuan
Tel. +886 3 420 6052
Fax: +886 3 490 0080
info@wika.tw
www.wika.tw

Thailand
WIKА Instrumentation Corporation
(Thailand) Co., Ltd.
850/7 Ladkrabang Road, Ladkrabang
Bangkok 10520
Tel. +66 2 32668-73
Fax: +66 2 32668-74
info@wika.co.th
www.wika.co.th

Africa / Middle East

Egypt
WIKА Near East Ltd.
Villa No. 6, Mohamed Fahmy
Elmohdar St. - of Eltayaran St.
1st District - Nasr City - Cairo
Tel. +20 2 240 13130
Fax: +20 2 240 13113
info@wika.com.eg
www.wika.com.eg

Namibia
WIKА Instruments Namibia Pty Ltd.
P.O. Box 31263
Pionierspark
Windhoek
Tel. +26 4 61238811
Fax: +26 4 61233403
info@wika.com.na
www.wika.com.na

South Africa
WIKА Instruments Pty. Ltd.
Chilvers Street, Denver
Johannesburg, 2094
Tel. +27 11 62100-00
Fax: +27 11 62100-59
sales@wika.co.za
www.wika.co.za

United Arab Emirates
WIKА Middle East FZE
Warehouse No. RB08JB02
P.O. Box 17492
Jebel Ali, Dubai
Tel. +971 4 883-9090
Fax: +971 4 883-9198
info@wika.ae
www.wika.ae

Australia

Australia
WIKА Australia Pty. Ltd.
Unit K, 10-16 South Street
Rydalmere, NSW 2116
Tel. +61 2 88455222
Fax: +61 2 96844767
sales@wika.com.au
www.wika.com.au

New Zealand
WIKА Instruments Limited
Unit 7 / 49 Sainsbury Road
St Lukes - Auckland 1025
Tel. +64 9 8479020
Fax: +64 9 8465964
info@wika.co.nz
www.wika.co.nz

WIKА Alexander Wiegand SE & Co. KG
Alexander-Wiegand-Straße 30 · 63911 Klingenberg · Germany
Tel. +49 9372 132-0 · Fax +49 9372 132-406
info@wika.de · www.wika.de



Part of your business